



# MURPHY®

by **ENOVATION** CONTROLS

## CONFIGURABLE, MULTIFUNCTION DISPLAYS FOR ELECTRONIC AND MECHANICAL ENGINES

### POWERSVIEW® 380

### MLC380 PANEL



Designed to be Used on Mechanical & Electronic Engines

Out-of-the-Box Configurable Display

Set Point Alarm & Shut-down Control

CAN J1939 Communications

Supports Multiple Languages



Whether you have an electronic or mechanical engine, the PowerView 380 display is the answer. It features a robust, multifunction display for advanced monitoring of both types of engines.

The PV380 display monitors multiple engine and machine parameters on an easy-to-read 3.8-inch (97 mm) QVGA monochrome LCD. The displays are capable of handling sophisticated engine diagnostics as well as basic engine alarm/shutdown.

The display provides an out-of-the-box solution for your system. The PV380 can easily be programmed on site with its intuitive screens and sturdy push buttons. Mount anywhere with available accessory bracket.

For complete specs of the PV380, please see the reverse side of this page.



Available As A Panel Solution  
**MLC380**



Electronic

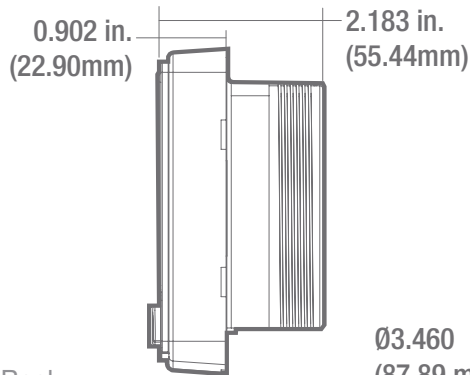
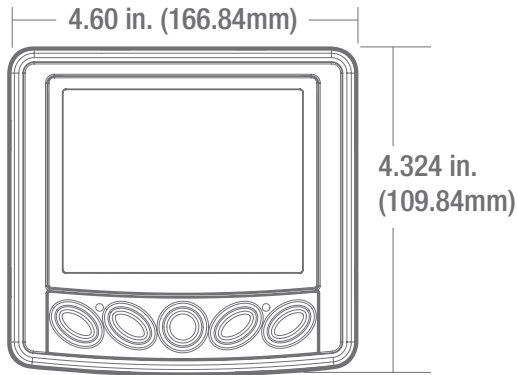


Mechanical

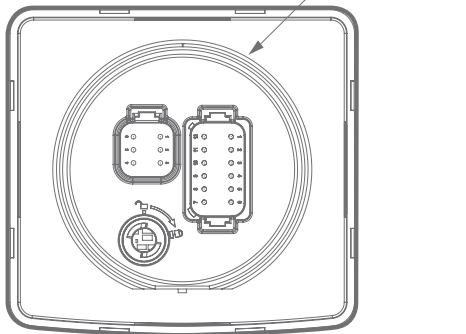
# POWerview® 380

## STANDARD DIMENSIONS

Front



Back



Model	Communications	Inputs	Outputs	Connectors
<b>PV380</b>	(1) CAN 2.0B J1939 protocols Proprietary messaging (1) RS-485 serial	(4) resistive analog  (3) analog: 0-5V, 4-20mA analog or digital  (1) frequency 2-10,000Hz, 3.6-120VAC	(2) 500 mA; switched low-side	Deutsch DT Series 6 and 12 pin

## TECHNICAL SPECS:

- Display: 3.8" (97 mm) QVGA (320 x 240 pixels); monochrome transfective LCD with white LED back-light, heater and real-time clock
- Viewing Angle: ±55° horizontally; +45°/-60° vertically
- Keys: 5 tactile pushbuttons
- Alarms: Red and amber warning LEDs; Setpoint triggered output for external piezo buzzer or shut-down relay
- Languages: English, Spanish, German, Italian, French  
Also Supports: Japanese, Chinese

## ENVIRONMENTAL

- Voltage: 6-36 VDC; reverse polarity protected
- Operating Temperature: -40°C to 85°C (-40° to 185°F)
- Storage Temperature: -40°C to 85°C (-40° to 185°F)
- Sealing: IP 66 and 67
- Vibration and Shock: 7.86g random vibrate (5-2,000Hz) and ±50g shock in 3 axis
- Electrical Safety: 2006/95/EC directives
- EMC/EMI: 2004/108/EC  
EN61000-6-4:2001 (emission)  
EN61000-6-2:2001 (immunity)  
EN 50121-3-2 and EN 12895
- SAE J1113/2, 4, 11, 12, 21, 24, 26 and 41

APPROVALS: 

## MLC380 PANEL SPECS:

- PV380 display, specifications as above
- Connectors: Electronic 21-way Deutsch
- Mechanical version specific 15 way amp / 10 way amp / No connector with blunt cut harness
- Dimensions (max overall, w, h, d):  
• Electronic MLC380: 9.39"X7.04"X4.95" (238 X 179 X 126 mm )  
• Mechanical MLC380: 7.16"X8.33" X 495" (182X212X126 mm)

**ENOVATION CONTROLS CORPORATE HEADQUARTERS**  
5311 S 122ND EAST AVENUE  
TULSA, OK 74146

**ENOVATION CONTROLS LTD. – UNITED KINGDOM**  
CHURCH ROAD LAVERSTOCK  
SALISBURY SP1 1QZ UK

**MURPHY INTERNATIONAL TRADING – CHINA**  
SUITE 1704, ANTAI BUILDING, 107 ZUNYI RD  
SHANGHAI, 2000 S1 CHINA

**ENOVATION CONTROLS INDIA PVT. LTD.**  
301, 3RD FLOOR, KRSNA CHAMBERS,  
11 GALAXY GARDENS, NORTH MAIN ROAD,  
KOREGAON PARK, PUNE 411001,  
MAHARASHTRA, INDIA

## U.S. SALES & SUPPORT

**MURPHY PRODUCTS**  
PHONE: 918 317 4100  
EMAIL: SALES@ENOVATIONCONTROLS.COM  
WWW.ENOVATIONCONTROLS.COM

**MURPHY INDUSTRIAL PANEL DIVISION**  
PHONE: 918 317 4100  
EMAIL: IPDSALES@ENOVATIONCONTROLS.COM

## INTERNATIONAL SALES & SUPPORT

**EUROPE, MIDDLE EAST, AFRICA**  
PHONE: +44 1722 410055  
EMAIL: SALES@ENOVATIONCONTROLS.EU

**CHINA**  
PHONE: +86 21 6237 5885  
EMAIL: APSALES@ENOVATIONCONTROLS.COM

**LATIN AMERICA & CARIBBEAN**  
PHONE: +1 918 317 2500  
EMAIL: LASALES@ENOVATIONCONTROLS.COM

**INDIA**  
PHONE: +91 91581 37633  
EMAIL: INDIASALES@ENOVATIONCONTROLS.COM



FM 28221 (Tulsa, OK - USA)  
FM 29422 (UK)